

**NATIONAL REGISTER OF HISTORIC PLACES
INVENTORY - NOMINATION FORM**

(Type all entries - complete applicable sections)

STATE: Minnesota	
COUNTY: Le Sueur	
FOR NPS USE ONLY	
ENTRY NUMBER 69-11-22-0003	DATE 11/25/69

1. NAME

COMMON:
The Mayo (Dr. William W.) House

AND/OR HISTORIC:

2. LOCATION

STREET AND NUMBER:
118 No. Main Street (US Highway No. 169)

CITY OR TOWN:
Le Sueur

STATE: Minnesota CODE: 22 COUNTY: Le Sueur CODE: 079

3. CLASSIFICATION

CATEGORY (Check One)	OWNERSHIP		STATUS	ACCESSIBLE TO THE PUBLIC
District <input type="checkbox"/> Building <input checked="" type="checkbox"/>	Public <input checked="" type="checkbox"/>	Public Acquisition: <input type="checkbox"/>	Occupied <input type="checkbox"/>	Yes: Restricted <input checked="" type="checkbox"/>
Site <input type="checkbox"/> Structure <input type="checkbox"/>	Private <input type="checkbox"/>	In Process <input type="checkbox"/>	Unoccupied <input checked="" type="checkbox"/>	Unrestricted <input type="checkbox"/>
Object <input type="checkbox"/>	Both <input type="checkbox"/>	Being Considered <input type="checkbox"/>	Preservation work in progress <input checked="" type="checkbox"/>	No: <input type="checkbox"/>

PRESENT USE (Check One or More as Appropriate)

Agricultural <input type="checkbox"/>	Government <input type="checkbox"/>	Park <input type="checkbox"/>	Transportation <input type="checkbox"/>	Comments <input checked="" type="checkbox"/>
Commercial <input type="checkbox"/>	Industrial <input type="checkbox"/>	Private Residence <input type="checkbox"/>	Other (Specify) <input type="checkbox"/>	not in use
Educational <input type="checkbox"/>	Military <input type="checkbox"/>	Religious <input type="checkbox"/>		
Entertainment <input type="checkbox"/>	Museum <input type="checkbox"/>	Scientific <input type="checkbox"/>		

4. OWNER OF PROPERTY

OWNERS NAME:
City of Le Sueur

STREET AND NUMBER:
218 So. Main Street

CITY OR TOWN: Le Sueur STATE: Minnesota CODE: 22

5. LOCATION OF LEGAL DESCRIPTION

COURTHOUSE, REGISTRY OF DEEDS, ETC:
Register of Deeds, Le Sueur County Courthouse

STREET AND NUMBER:

CITY OR TOWN: Le Center STATE: Minnesota CODE: 22

APPROXIMATE ACREAGE OF NOMINATED PROPERTY: .45 acres

6. REPRESENTATION IN EXISTING SURVEYS

TITLE OF SURVEY:
Minnesota's Historic Sites Survey

DATE OF SURVEY: 1963 Federal State County Local

DEPOSITORY FOR SURVEY RECORDS:
Publications Division, Minnesota Historical Society

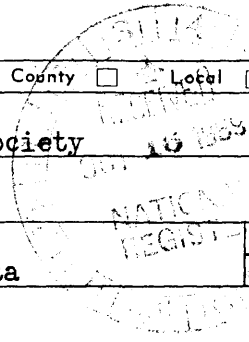
STREET AND NUMBER:
Cedar Street and Central Avenue

CITY OR TOWN: St. Paul STATE: Minnesota CODE: 22

SEE INSTRUCTIONS

STATE: Minnesota
COUNTY: Le Sueur
ENTRY NUMBER
DATE

FOR NPS USE ONLY



7. DESCRIPTION

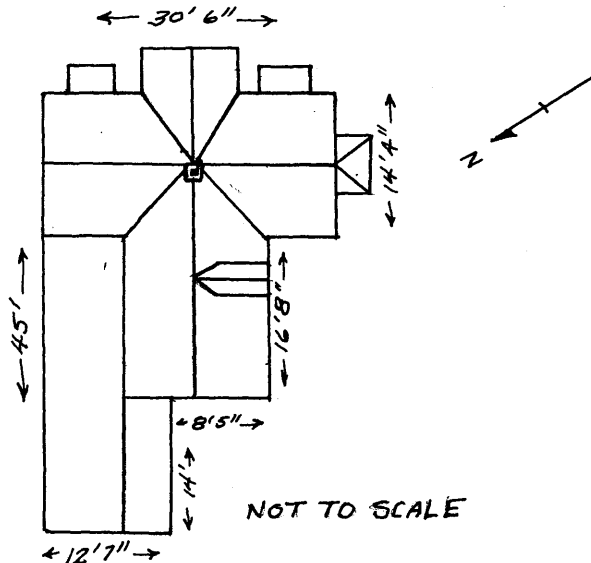
CONDITION	(Check One)					
	Excellent <input type="checkbox"/>	Good <input type="checkbox"/>	Fair <input checked="" type="checkbox"/>	Deteriorated <input type="checkbox"/>	Ruins <input type="checkbox"/>	Unexposed <input type="checkbox"/>
INTEGRITY	(Check One)			(Check One)		
	Altered <input checked="" type="checkbox"/>	Unaltered <input type="checkbox"/>		Moved <input type="checkbox"/>	Original Site <input checked="" type="checkbox"/>	

DESCRIBE THE PRESENT AND ORIGINAL (if known) PHYSICAL APPEARANCE

The house that Dr. William W. Mayo built in Le Sueur in 1859 is a small and plain middle-class home with mid-19th century architectural frosting. The two-story building is layed-out as a cross with its members running northwest to southeast and southwest to northeast. A single-story closed porch fills the north angle and extends beyond the back of the house proper. A 1911 photograph shows this porch extended across the back of the house and along the west angle. A Greek Revival doorway competes with Gothic gables for architectural style. It is approximately 50 feet long and 30 feet wide.

The basement and foundation are built of local stone. Hand-hewn timbers support the first floor. The frame is of rough-sawn two-by-fours and clapboards sheath the sides. The roof is covered by wooden shingles and topped by a brick chimney. The interior walls are plaster over lath, covered by many layers of old wallpaper. The floors, stairs and trim are constructed of light wood planking. There are five rooms and the porch on the first floor and five rooms on the second. Amateur construction or repair is disclosed by odd angles and mismatched boards.

A furnace and hot air ducts and grates have replaced the original heating equipment. Plumbing and electricity have been installed. Two large first-floor rooms are still lined with shelves from the old library. Some floors are covered with aged linoleum. The mossy shingles are beginning to leak, the old mortar in the foundation is disintegrating, the plaster is cracking, the stairs weakening and some of the exterior trim is rotting. But basically the house is sound and can be preserved and restored.



SEE INSTRUCTIONS

8. SIGNIFICANCE

PERIOD (Check One or More as Appropriate)

- Pre-Columbian 16th Century 18th Century 20th Century
 15th Century 17th Century 19th Century

SPECIFIC DATE(S) (If Applicable and Known) 1859 - 1864

AREAS OF SIGNIFICANCE (Check One or More as Appropriate)

- | | | | | | | |
|----------------|--------------|--------------------------|----------------|-------------------------------------|-----------------|-------------------------------------|
| Aboriginal | Education | <input type="checkbox"/> | Political | <input type="checkbox"/> | Urban Planning | <input type="checkbox"/> |
| Prehistoric | Engineering | <input type="checkbox"/> | Religion/Phi- | | Other (Specify) | <input checked="" type="checkbox"/> |
| Historic | Industry | <input type="checkbox"/> | losophy | <input type="checkbox"/> | <u>Medical</u> | |
| Agriculture | Invention | <input type="checkbox"/> | Science | <input type="checkbox"/> | _____ | |
| Art | Landscape | <input type="checkbox"/> | Sculpture | <input type="checkbox"/> | _____ | |
| Commerce | Architecture | <input type="checkbox"/> | Social/Human- | | _____ | |
| Communications | Literature | <input type="checkbox"/> | itarian | <input checked="" type="checkbox"/> | _____ | |
| Conservation | Military | <input type="checkbox"/> | Theater | <input type="checkbox"/> | _____ | |
| | Music | <input type="checkbox"/> | Transportation | <input type="checkbox"/> | _____ | |

STATEMENT OF SIGNIFICANCE (Include Personages, Dates, Events, Etc.)

Few Minnesotans are as well-known as "The Doctors Mayo" - father and two sons. Their medical achievements in Rochester still benefit the health of people throughout the nation and the world. Dr. William W. Mayo, an English immigrant, came to Minnesota in 1854. Five years later, he built this house for his family in the new village of Le Sueur on the banks of the Minnesota River. His first son, William James, was born here in 1861. During the Le Sueur years, "the little doctor" carried on his country practice from the Lilliputian office under the gable above the door. In 1862 the Sioux swept down the Minnesota River valley, making war with the desperation of a last stand. Dr. Mayo accompanied the volunteers west to New Ulm, tending the wounded and the homeless sick until the town was evacuated. His wife and three children opened their home to refugees fleeing down the valley, and emptied their pantry to feed them. Whenever Mrs. Mayo had to go outdoors, she dressed in overalls to disguise the absence of men to any Indian scouts. When 38 Indian prisoners were hung in Mankato that December, Dr. Mayo brought the body of an Indian named Cut Nose back to Le Sueur. He dissected it before other medical men, cleaned and articulated the bones, and later used the skeleton to teach anatomy to his sons.

In April, 1863, Dr. Mayo went to Rochester as an examining surgeon for the recruits raised for the Minnesota Volunteer Regiments. In 1864 he sold his house in Le Sueur and brought his family to Rochester. In 1889, Dr. Mayo became the Medical Director for the hospital of the Sisters of St. Francis, with his sons as assistants. By 1903, they were becoming famous in medical circles as the Mayo Clinic at St. Mary's Hospital. While the Mayo doctors were enhancing the skill and reputation of the clinic, their old home in Le Sueur slipped into obscurity. The old doctor died in 1911. Finally, in 1932, the house was designated a historic site and the Minnesota Historical Society and State Highway Department erected a marker. Doctors William J. and Charles H. bought the house in 1935 and presented it to the city. The desk, medicine bottles and surgical instruments used by their father were returned to his old office under the eaves. The city used the house as a public library until recently. The city, and historical societies of the county and state, have limited funds available for preservation. They are planning to restore the house to the period 1859-1864, in memory of the frontier period of Minnesota's famous medical family.

SEE INSTRUCTIONS

9. MAJOR BIBLIOGRAPHICAL REFERENCES

Holmquist, June Drenning, and Brookins, Jean A., Minnesotas Major Historic Sites. (St. Paul, Minnesota Historical Society, 1963), pp. 85-88.

Clapesattle, Helen B., The Doctors Mayo. (Minneapolis, University of Minnesota Press, 1941).

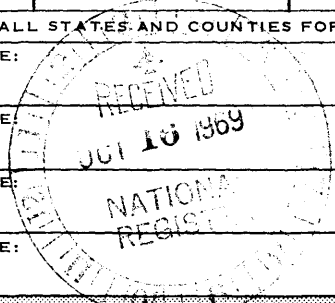
Rollins, Josephine Lutz, "Exploring With Brush and Palette," Minnesota History, (St. Paul, 1953) v. 33, pp. 208 - 210.

10. GEOGRAPHICAL DATA

LATITUDE AND LONGITUDE COORDINATES DEFINING A RECTANGLE LOCATING THE PROPERTY			OR	LATITUDE AND LONGITUDE COORDINATES DEFINING THE CENTER POINT OF A PROPERTY OF LESS THAN ONE ACRE		
CORNER	LATITUDE	LONGITUDE		LATITUDE	LONGITUDE	
	Degrees Minutes Seconds	Degrees Minutes Seconds		Degrees Minutes Seconds	Degrees Minutes Seconds	
NW	° ' "	° ' "		44 ° 27 ' 45 "	93 ° 54 ' 56 "	
NE	° ' "	° ' "				
SE	° ' "	° ' "				
SW	° ' "	° ' "				

LIST ALL STATES AND COUNTIES FOR PROPERTIES OVERLAPPING STATE OR COUNTY BOUNDARIES

STATE:	CODE	COUNTY	CODE
STATE:	CODE	COUNTY:	CODE
STATE:	CODE	COUNTY:	CODE
STATE:	CODE	COUNTY:	CODE



11. FORM PREPARED BY

NAME AND TITLE:
John F. Grossman, Historic Sites Division

ORGANIZATION: Minnesota Historical Society DATE: July 30, 1969

STREET AND NUMBER:
Cedar Street and Central Avenue

CITY OR TOWN: St. Paul STATE: Minnesota CODE: 22

12. STATE LIAISON OFFICER CERTIFICATION

NATIONAL REGISTER VERIFICATION

As the designated State Liaison Officer for the National Historic Preservation Act of 1966 (Public Law 89-665), I hereby nominate this property for inclusion in the National Register and certify that it has been evaluated according to the criteria and procedures set forth by the National Park Service. The recommended level of significance of this nomination is:

National State Local

Name: Russell W. Fridley

Title: Director, Minnesota Historical Society

Date: October 7, 1969

I hereby certify that this property is included in the National Register.

Ernest Allen Connolly
Chief, Office of Archeology and Historic Preservation

NOV 25 1969

Date _____

ATTEST:

William J. Brantley
Keeper of The National Register

NOV 7 1969

Date _____

SEE INSTRUCTIONS

O N

Sewage Disposal
Ponds

MINNESOTA

CHICAGO

AND

Le Sueur

Gravel Pit

Gravel Pit

Gravel Pit

Calvary
Cem

Le Sueur

44°27'45"

Gravel Pit

SIBLEY CO
NICOLLET CO

LE SUEUR CO

Gravel Pit

697

Gravel Pit

Mound
Cem

Gravel
Pit

U.S.G.S. 7.5' Quadrangle
"Le Sueur" 1965
1:24,000

Le Sueur Municipal
Airport

CORPORATE
BOUNDARY

93°54'56"

CORPORATE
BOUNDARY

BR 74

740

780

697

HM

753

1668

897

862

885

