

UNITED STATES DEPARTMENT OF THE INTERIOR
NATIONAL PARK SERVICE

NATIONAL REGISTER OF HISTORIC PLACES
INVENTORY -- NOMINATION FORM

FOR NPS USE ONLY	
RECEIVED	MAY 8 1980
DATE ENTERED	JUN - 4 1980

SEE INSTRUCTIONS IN HOW TO COMPLETE NATIONAL REGISTER FORMS
TYPE ALL ENTRIES -- COMPLETE APPLICABLE SECTIONS

1 NAME

HISTORIC

16

FISH CREEK COVERED BRIDGE

AND/OR COMMON

2 LOCATION

STREET & NUMBER

Secondary Route 13 near junction of U.S. Route 250 crossing Fish Creek

CITY, TOWN

NOT FOR PUBLICATION

CONGRESSIONAL DISTRICT

X VICINITY OF Hundred

1

STATE

West Virginia

CODE
54

COUNTY
Wetzel

CODE
103

3 CLASSIFICATION

CATEGORY	OWNERSHIP	STATUS	PRESENT USE	
<input type="checkbox"/> DISTRICT	<input checked="" type="checkbox"/> PUBLIC	<input checked="" type="checkbox"/> OCCUPIED in service	<input type="checkbox"/> AGRICULTURE	<input type="checkbox"/> MUSEUM
<input type="checkbox"/> BUILDING(S)	<input type="checkbox"/> PRIVATE	<input type="checkbox"/> UNOCCUPIED	<input type="checkbox"/> COMMERCIAL	<input type="checkbox"/> PARK
<input checked="" type="checkbox"/> STRUCTURE	<input type="checkbox"/> BOTH	<input type="checkbox"/> WORK IN PROGRESS	<input type="checkbox"/> EDUCATIONAL	<input type="checkbox"/> PRIVATE RESIDENCE
<input type="checkbox"/> SITE	<input type="checkbox"/> PUBLIC ACQUISITION	<input type="checkbox"/> ACCESSIBLE	<input type="checkbox"/> ENTERTAINMENT	<input type="checkbox"/> RELIGIOUS
<input type="checkbox"/> OBJECT	<input type="checkbox"/> IN PROCESS	<input type="checkbox"/> YES: RESTRICTED	<input type="checkbox"/> GOVERNMENT	<input type="checkbox"/> SCIENTIFIC
	<input type="checkbox"/> BEING CONSIDERED	<input checked="" type="checkbox"/> YES: UNRESTRICTED	<input type="checkbox"/> INDUSTRIAL	<input checked="" type="checkbox"/> TRANSPORTATION
		<input type="checkbox"/> NO	<input type="checkbox"/> MILITARY	<input type="checkbox"/> OTHER:

4 OWNER OF PROPERTY

NAME

West Virginia Department of Highways

STREET & NUMBER

1900 Washington Street, East

CITY, TOWN

Charleston

VICINITY OF

STATE

West Virginia 25305

5 LOCATION OF LEGAL DESCRIPTION

COURTHOUSE,
REGISTRY OF DEEDS, ETC.

Wetzel County Court House

STREET & NUMBER

CITY, TOWN

New Martinsville

STATE

West Virginia

6 REPRESENTATION IN EXISTING SURVEYS

TITLE

None

DATE

FEDERAL STATE COUNTY LOCAL

DEPOSITORY FOR
SURVEY RECORDS

CITY, TOWN

STATE

7 DESCRIPTION

CONDITION		CHECK ONE	CHECK ONE
<input type="checkbox"/> EXCELLENT	<input type="checkbox"/> DETERIORATED	<input type="checkbox"/> UNALTERED	<input checked="" type="checkbox"/> ORIGINAL SITE
<input type="checkbox"/> GOOD	<input type="checkbox"/> RUINS	<input checked="" type="checkbox"/> ALTERED	<input type="checkbox"/> MOVED DATE _____
<input checked="" type="checkbox"/> FAIR	<input type="checkbox"/> UNEXPOSED		

DESCRIBE THE PRESENT AND ORIGINAL (IF KNOWN) PHYSICAL APPEARANCE

The Fish Creek Covered Bridge is 12 feet-10 inches wide and 36 feet in length. Wooden siding painted barn red and a galvanized metal roof cover the superstructure. The kingpost truss has two-8-inch square diagonals extending from the notched ends of the 9 x 9½ inch bottom chord to the mortise and tenon joint at the 9 x 11 inch centerpost. Knee braces at the centerpost and at either endpost help to stiffen the frame. Metal tension straps bolted to the sides of the center post support the 8 x 9½ inch transverse floor beam which supports the floor stringers at midspan.

Modern reinforcement consists of six 8 x 12 inch wide flange stringers that support the deck, which originally rested on wooden stringers.

SIGNIFICANCE

PERIOD	AREAS OF SIGNIFICANCE -- CHECK AND JUSTIFY BELOW			
<input type="checkbox"/> PREHISTORIC	<input type="checkbox"/> ARCHEOLOGY-PREHISTORIC	<input type="checkbox"/> COMMUNITY PLANNING	<input type="checkbox"/> LANDSCAPE ARCHITECTURE	<input type="checkbox"/> RELIGION
<input type="checkbox"/> 1400-1499	<input type="checkbox"/> ARCHEOLOGY-HISTORIC	<input type="checkbox"/> CONSERVATION	<input type="checkbox"/> LAW	<input type="checkbox"/> SCIENCE
<input type="checkbox"/> 1500-1599	<input type="checkbox"/> AGRICULTURE	<input type="checkbox"/> ECONOMICS	<input type="checkbox"/> LITERATURE	<input type="checkbox"/> SCULPTURE
<input type="checkbox"/> 1600-1699	<input type="checkbox"/> ARCHITECTURE	<input type="checkbox"/> EDUCATION	<input type="checkbox"/> MILITARY	<input type="checkbox"/> SOCIAL/HUMANITARIAN
<input type="checkbox"/> 1700-1799	<input type="checkbox"/> ART	<input checked="" type="checkbox"/> ENGINEERING	<input type="checkbox"/> MUSIC	<input type="checkbox"/> THEATER
<input checked="" type="checkbox"/> 1800-1899	<input type="checkbox"/> COMMERCE	<input type="checkbox"/> EXPLORATION/SETTLEMENT	<input type="checkbox"/> PHILOSOPHY	<input checked="" type="checkbox"/> TRANSPORTATION
<input type="checkbox"/> 1900-	<input type="checkbox"/> COMMUNICATIONS	<input type="checkbox"/> INDUSTRY	<input type="checkbox"/> POLITICS/GOVERNMENT	<input type="checkbox"/> OTHER (SPECIFY)
		<input type="checkbox"/> INVENTION		

SPECIFIC DATES

c 1881

BUILDER/ARCHITECT

Unknown

STATEMENT OF SIGNIFICANCE

On July 27, 1881 a committee was appointed by the Wetzel County Court for letting out a contract for a bridge to be built across Fish Creek "near the mouth of Rush". This information, obtained from Wetzel County Court Records describes the location of the present covered bridge, which crosses Fish Creek near the mouth of Rush Run near Hundred, West Virginia. The most likely date for completion of construction was probably in 1881 (as a postcard (2) of the bridge indicates) or within a few years following. A thorough search of the court records failed to yield any further information concerning the construction of the bridge.

The Fish Creek Covered Bridge is the only remaining covered bridge in Wetzel County, which had a number of bridges in the past. Along with the Dents Run covered bridge, the Fish Creek bridge is one of the two remaining bridges in West Virginia having the single kingpost truss design.

9 MAJOR BIBLIOGRAPHICAL REFERENCES

1. Order Book #1, Wetzel County Court.
2. Postcard Depicting the Fish Creek bridge, Hundred, West Virginia
3. Allen, Richard Sanders, Covered Bridges of the Middle Atlantic States. Brattleboro, Vermont: The Stephen Green Press, 1959, p. 86.

10 GEOGRAPHICAL DATA

UTM NOT VERIFIED

ACREAGE OF NOMINATED PROPERTY Not applicable

ACREAGE NOT VERIFIED

QUADRANGLE NAME Hundred

SCALE 1:24000

UTM REFERENCES

A 1, 7 | 5, 4, 6, 9, 7, 0 | 4, 3, 9, 1, 3, 2, 4

B | |

ZONE EASTING NORTHING

ZONE EASTING NORTHING

C | |

D | |

E | |

F | |

G | |

H | |

VERBAL BOUNDARY DESCRIPTION

LIST ALL STATES AND COUNTIES FOR PROPERTIES OVERLAPPING STATE OR COUNTY BOUNDARIES

STATE	CODE	COUNTY	CODE

11 FORM PREPARED BY

NAME / TITLE

E.L. Kemp, Professor History of Science & Technology and of Civil Engineering

ORGANIZATION

DATE

West Virginia University

STREET & NUMBER

TELEPHONE

G14 Woodburn Hall, Town Campus

CITY OR TOWN

(304) 293-3867

Morgantown

West Virginia 26056

12 STATE HISTORIC PRESERVATION OFFICER CERTIFICATION

THE EVALUATED SIGNIFICANCE OF THIS PROPERTY WITHIN THE STATE IS:

NATIONAL

STATE

LOCAL

As the designated State Historic Preservation Officer for the National Historic Preservation Act of 1966 (Public Law 89-665), I hereby nominate this property for inclusion in the National Register and certify that it has been evaluated according to the criteria and procedures set forth by the National Park Service.

STATE HISTORIC PRESERVATION OFFICER SIGNATURE

TITLE

DATE

FOR NPS USE ONLY

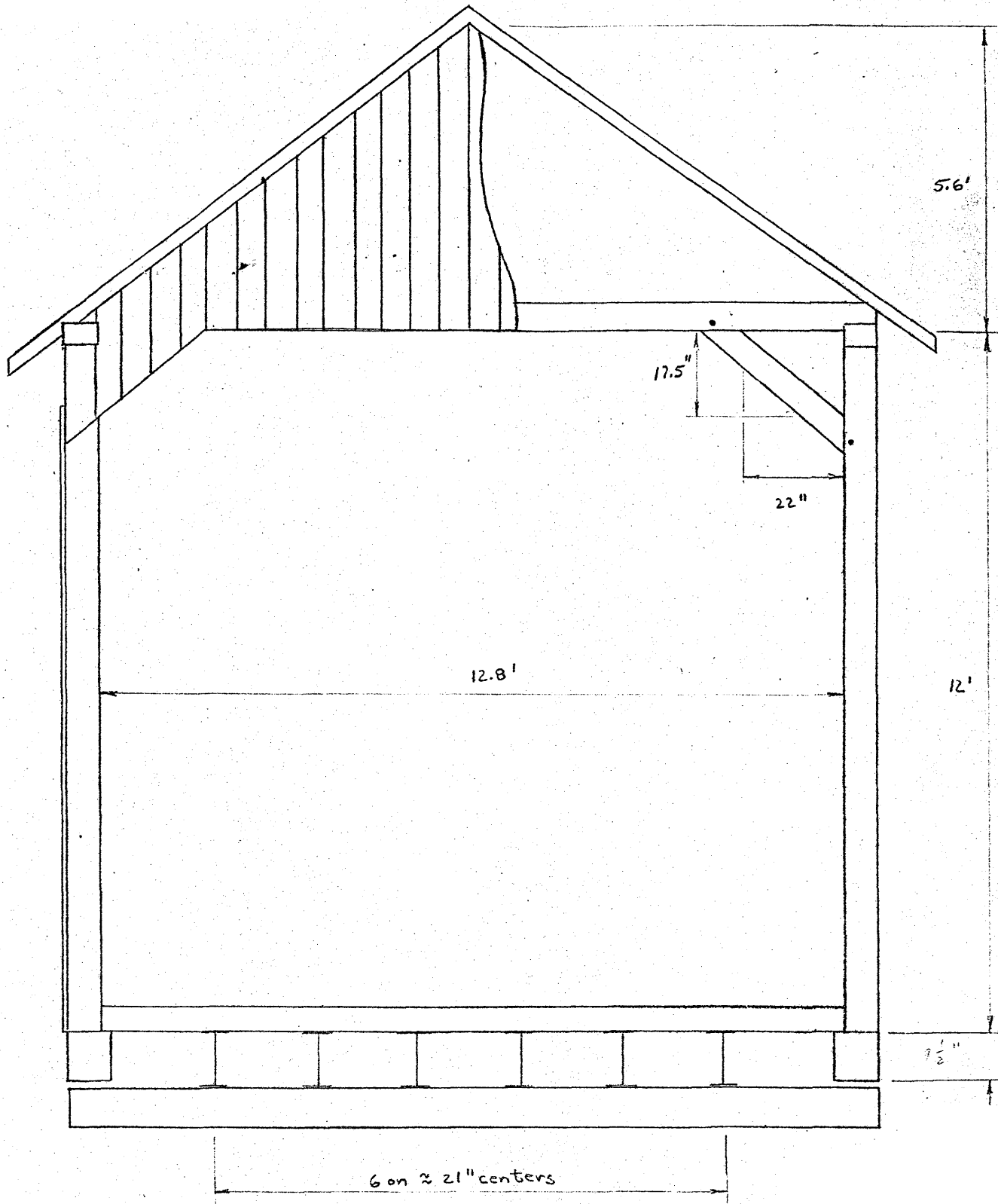
I HEREBY CERTIFY THAT THIS PROPERTY IS INCLUDED IN THE NATIONAL REGISTER

DATE

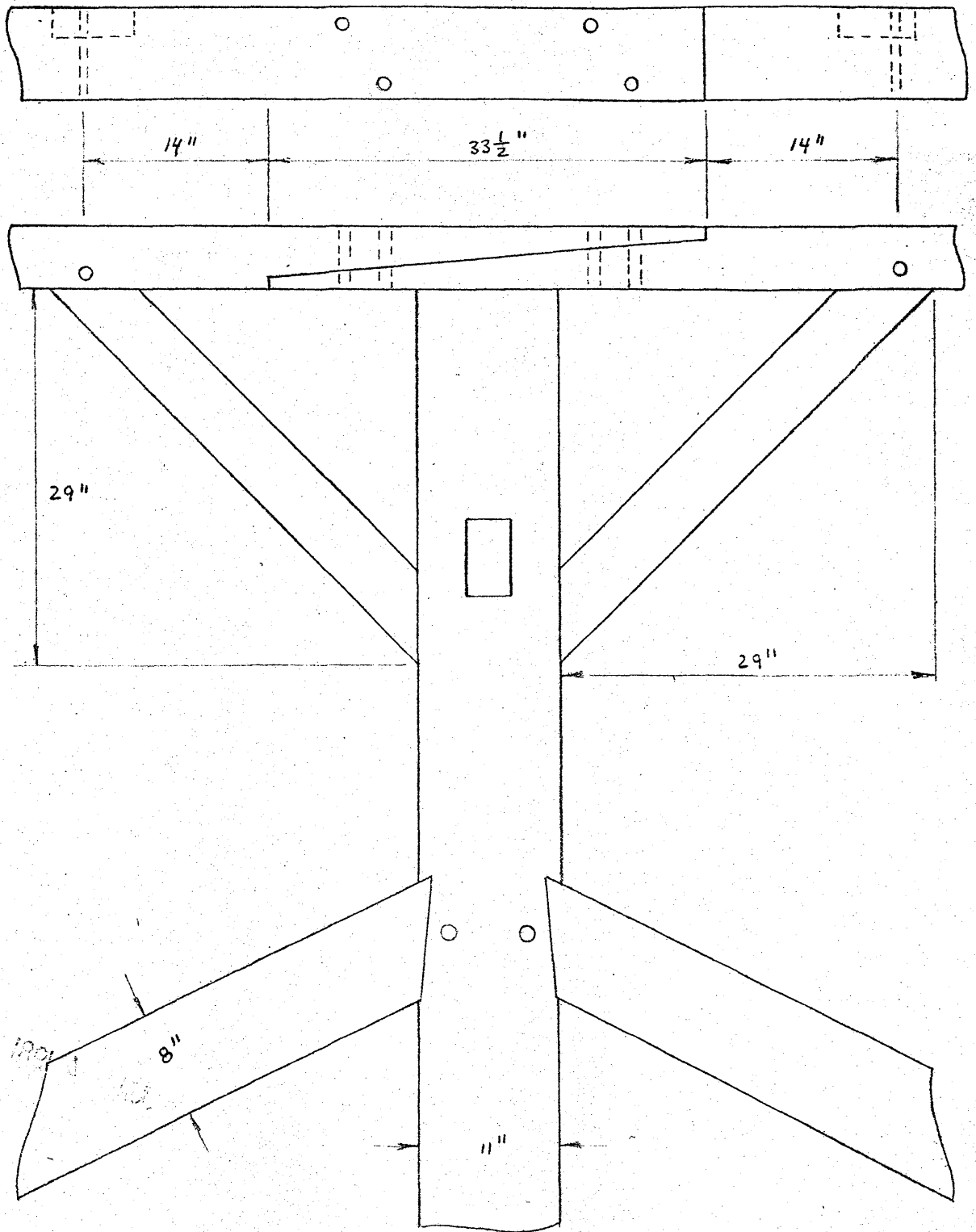
ATTEST: KEEPER OF THE NATIONAL REGISTER

DATE

CHIEF OF REGISTRATION

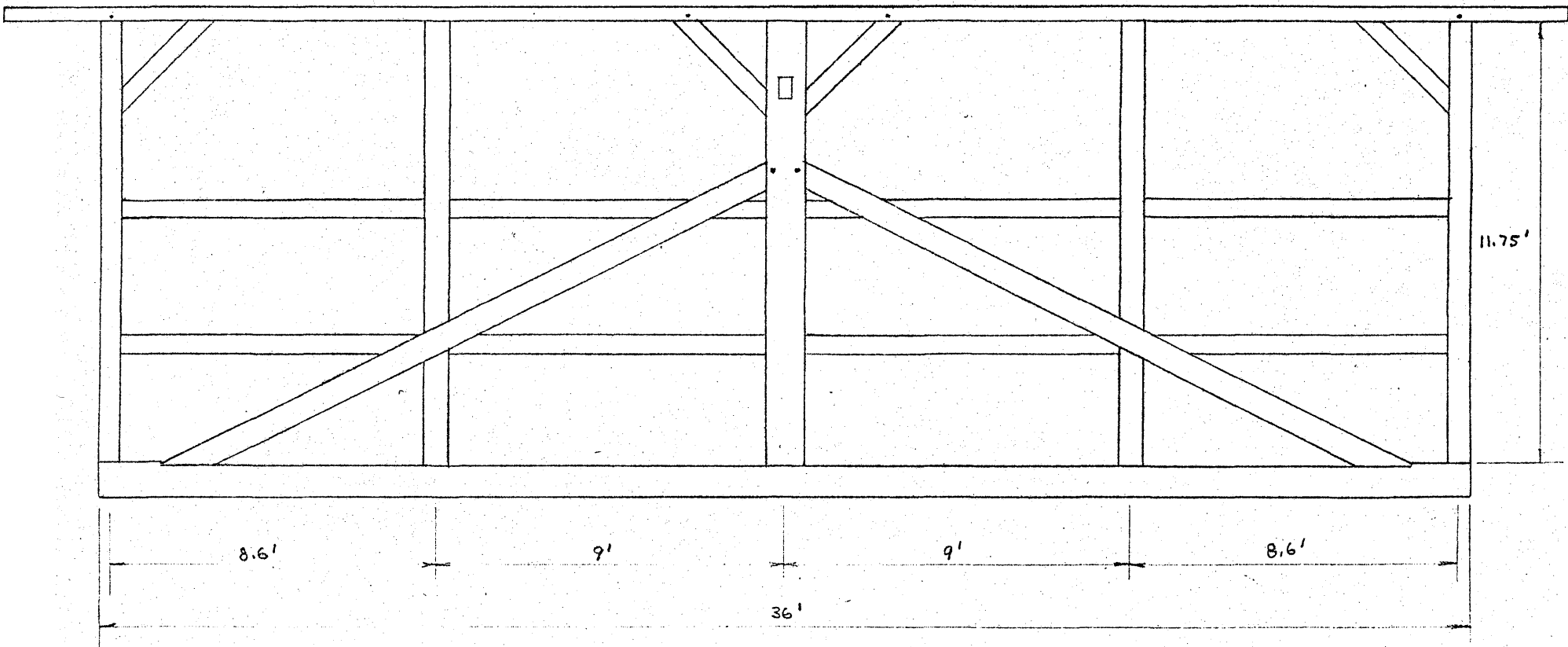


19. FISH CREEK COVERED BRIDGE



19. FISH CREEK COVERED BRIDGE

JUN 4 1981



19. FISH CREEK COVERED BRIDGE

JUN 4 1981