

United States Department of the Interior
National Park Service

National Register of Historic Places
Inventory—Nomination Form

For NPS use only
received FEB 8 1983
date entered

See instructions in *How to Complete National Register Forms*
Type all entries—complete applicable sections

1. Name

historic The Confederated Peoria Indian ^{Thematic} Cultural Resources

and/or common

2. Location

E of Miami off I-44

street & number Rt. 2, Box 11-16 NA not for publication

city, town Miami vicinity vicinity of

state Oklahoma code 40 county Ottawa code 115

3. Classification

Category	Ownership	Status	Present Use	
<input type="checkbox"/> district	<input type="checkbox"/> public	<input checked="" type="checkbox"/> occupied	<input type="checkbox"/> agriculture	<input type="checkbox"/> museum
<input checked="" type="checkbox"/> building(s)	<input checked="" type="checkbox"/> private	<input type="checkbox"/> unoccupied	<input type="checkbox"/> commercial	<input type="checkbox"/> park
<input type="checkbox"/> structure	<input type="checkbox"/> both	<input type="checkbox"/> work in progress	<input type="checkbox"/> educational	<input type="checkbox"/> private residence
<input type="checkbox"/> site	Public Acquisition	Accessible	<input type="checkbox"/> entertainment	<input checked="" type="checkbox"/> religious
<input type="checkbox"/> object	<u>NA</u> in process	<input type="checkbox"/> yes: restricted	<input type="checkbox"/> government	<input type="checkbox"/> scientific
<input checked="" type="checkbox"/> thematic	<u>NA</u> being considered	<input checked="" type="checkbox"/> yes: unrestricted	<input type="checkbox"/> industrial	<input type="checkbox"/> transportation
		<input type="checkbox"/> no	<input type="checkbox"/> military	<input type="checkbox"/> other:

4. Owner of Property

name Trustees of Peoria District Assembly of God Church (School)

street & number Rt. 2, Box 11-16

city, town Miami vicinity of state Oklahoma

5. Location of Legal Description

courthouse, registry of deeds, etc. Office of County Clerk

street & number Ottawa County Courthouse

city, town Miami vicinity of state Oklahoma

6. Representation in Existing Surveys

title Oklahoma Landmarks Inventory has this property been determined eligible? yes no

date 1982 federal state county local

depository for survey records State Historic Preservation Office - Oklahoma Historical Society

city, town Oklahoma City vicinity of state Oklahoma

7. Description

Condition		Check one	Cemetery	Check one	
<input checked="" type="checkbox"/> excellent	<input type="checkbox"/> deteriorated	<input checked="" type="checkbox"/> unaltered	<input checked="" type="checkbox"/> original site		
<input type="checkbox"/> good	<input type="checkbox"/> ruins	<input checked="" type="checkbox"/> altered	<input type="checkbox"/> School moved	date	_____
<input type="checkbox"/> fair	<input type="checkbox"/> unexposed				

Describe the present and original (if known) physical appearance

The Peoria Indian School, constructed in 1872, is a 26' x 60' building constructed of clapboard and stands on a native sandstone foundation. It is a 1½ story structure with gable roof, however, two center gables project from either side of the east end.

The original panel-type entrance door, topped with a three pane transom, is located on the east end of the south side of the building. Three casement-type windows with wooden heads, sills, and jambs are located on the south side, two of which are 2/2 and the other is 1/1. A circular ventilator is positioned in the center gable on the south side.

On the north side of the building, there are seven casement-type windows with wooden heads, sills, and jambs. These original windows are all 2/2. As on the south side, a circular ventilator has been placed in the center gable on the north.

The east end of the building includes two 2/2 casement-type original windows with wooden heads, sills, and jambs.

The major decorative feature of the building is a pagoda-like cupola which adorns the eastern end of the roof ridge. It housed the school bell until 1951 when the building was discontinued as a school.

In 1977 a 14' x 34' addition was completed on the west end of the building which extends 8' beyond north side (see sketch on continuation sheet) and a second entryway of plain wooden double doors was opened on the west end of the south side of the original building. The addition consists of two parts. One is a gabled extension of the original building, however, the roof ridge sets approximately 2' lower than roof ridge of the original building. The other part is a north-south gabled storage area adjoined to the north side of the original building and its westward-facing extension.

The larger part of the addition contains a 1/1 window on south side, two 1/1 windows on west side, and a rectangular-shaped louvered ventilator in the gable portion of west end. The storage addition has a wooden panel door on the west side. Both portions of the addition are of weatherboard construction materials and set on concrete slabs. The construction materials and design of the addition do not detract from the architectural integrity of the original building. A graveled parking area is located on the south and west sides of the building and a large deciduous-type tree stands near the northwest corner of the structure.

The Peoria Tribal Cemetery, established in 1871, is approximately 372' x 516' and is located in the northwest corner of the former Confederated Peoria Indian reservation land. The separate plot of land was set aside by the tribal council as a burial grounds for Peoria Indian tribal leaders. The cemetery contains approximately sixty graves. The earlier sites are memorialized by native stone markers set flush with the ground with inscriptions carved by hand. The more recent markers are granite headstones. One of the first and most important grave sites was that of Baptiste Peoria, Principal Chief of the Confederated Peoria at the time of their removal from Kansas to Indian Territory in 1867. He was buried in the cemetery in 1873, two years after it was established (Photo No. 12).

Landscaping of the grounds includes bermuda grass cover with several large deciduous trees located in the southern portion. The cemetery is enclosed with a wire fence approximately 4' high and a gate provides entry near the northeast corner. The grounds are well-kept and all the markers are in good to excellent condition. Maintenance of the grounds is supervised by the Confederated Peoria tribal council.

During the last ten years, several improvements have been made including a brick marker identifying the name of the cemetery and a flag pole (Photo No. 7)

UNITED STATES DEPARTMENT OF THE INTERIOR
NATIONAL PARK SERVICE

**NATIONAL REGISTER OF HISTORIC PLACES
INVENTORY -- NOMINATION FORM**

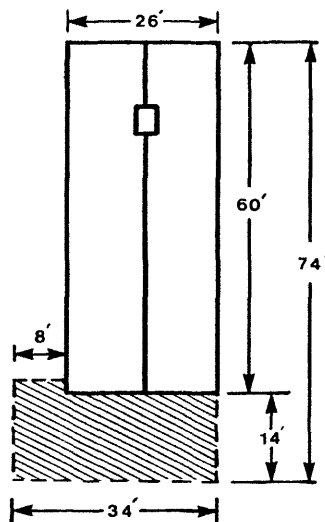
FOR NPS USE ONLY

RECEIVED

DATE ENTERED

CONTINUATION SHEET Description ITEM NUMBER 7 PAGE 1

Floor Plan of Peoria School



8. Significance

Period	Areas of Significance—Check and justify below					
<input type="checkbox"/> prehistoric	<input type="checkbox"/> archeology-prehistoric	<input type="checkbox"/> community planning	<input type="checkbox"/> landscape architecture	<input checked="" type="checkbox"/> religion ^{KS} 2/1983	<input type="checkbox"/> science	
<input type="checkbox"/> 1400-1499	<input type="checkbox"/> archeology-historic	<input type="checkbox"/> conservation	<input type="checkbox"/> law	<input type="checkbox"/> sculpture	<input type="checkbox"/> literature	
<input type="checkbox"/> 1500-1599	<input type="checkbox"/> agriculture	<input type="checkbox"/> economics	<input type="checkbox"/> military	<input type="checkbox"/> social/	<input type="checkbox"/> humanitarian	
<input type="checkbox"/> 1600-1699	<input type="checkbox"/> architecture	<input checked="" type="checkbox"/> education	<input type="checkbox"/> music	<input type="checkbox"/> theater	<input type="checkbox"/> transportation	
<input type="checkbox"/> 1700-1799	<input type="checkbox"/> art	<input type="checkbox"/> engineering	<input type="checkbox"/> philosophy	<input type="checkbox"/> other (specify)	<input type="checkbox"/> (Ethnic)	
<input checked="" type="checkbox"/> 1800-1899	<input type="checkbox"/> commerce	<input type="checkbox"/> exploration/settlement	<input type="checkbox"/> politics/government			
<input type="checkbox"/> 1900-	<input type="checkbox"/> communications	<input type="checkbox"/> industry	<input type="checkbox"/> invention			

Specific dates School (1872-1893) **Builder/Architect** unknown

Cemetery (1871-Present)

Statement of Significance (in one paragraph)

The Confederated Peoria Indian Cultural Resources is historically significant for several reasons: (1) Peoria Indian School Building and the Peoria Cemetery are the only remaining resources of this group of Native Americans left in the United States, (2) Peoria Indian School served as the only educational facility for the Confederated Peoria from 1872 to 1893, an era which followed their removal from Kansas to the north-eastern part of Indian Territory, (3) Peoria Cemetery, established as a burial ground in 1871 for Confederated Peoria tribal leaders, is only documented cemetery in the United States set aside for such a purpose, (4) Peoria Cemetery contains the grave of Chief Baptiste Peoria, and (5) Peoria School and Cemetery represent not only the last identifiable historic properties associated with the Peoria Tribe, but also are important because of their association with additional Native American groups which eventually were united with the Peoria before their removal to Indian Territory.

The Peoria were one of the principal tribes of the Illinois Confederacy who lived near the mouth of the Wisconsin River according to earliest known records. They were united with the Kaskaskia in their first treaty with the United States government in 1818. As a result of a second treaty with the United States government in 1832, five more tribes (Cahokia, Moingwena, Michigamea, Tamaroa, and Pepikokia) were united with the Peoria and they were removed to a reserved tract of 150 sections on the Osage River in southeastern Kansas. In 1854, the Peoria and remnants of six tribes of the old Illinois Confederacy joined the Wea and Piankashaw, who were already located in Kansas, to form a confederated tribe for mutual benefit and welfare. The United States Congress enacted a law in 1873 uniting the Miami of Kansas with the new confederated group, henceforth recognized as the Confederated Peoria, a confederation of nine tribes which had formerly controlled most of the land area in the Upper Midwest.

The Omnibus Treaty of 1867 provided that the Confederated Peoria sell all individual and confederated land holdings in Kansas and use the money for purchase of a reservation tract of 72,000 acres in northeastern Indian Territory. The Principal Chief of the Confederated Peoria during this period of removal was Baptiste Peoria (Lanepeshaw) who spoke several Native American languages. Before his death and burial in the Peoria Cemetery in 1873, Chief Baptiste Peoria supervised construction of the Peoria Tribal School in 1872.

The Peoria Tribal School provided education for the children of the Confederated Peoria reservation from 1872 until 1893 when by a special act of Congress the reservation land was divided among members in individual allotments of 200 acres each. Following Oklahoma statehood in 1907, the Peoria Indian School Building became a public school facility and continued in that role until 1951 when the school district was consolidated. For three years, the building served as a community center, however, in 1954 it was purchased by the trustees of the Assembly of God Church and for the past twenty-eight years has been used as a meeting place for that denomination.

The Peoria Cemetery was established in February of 1871 for the purpose of providing a burial ground for Confederated Peoria tribal leaders. For over 100 years, the cemetery has maintained its restrictions that only those listed on the Peoria tribal rolls can be buried there.

9. Major Bibliographical References

Wright, Muriel H., A Guide to the Indian Tribes of Oklahoma. Norman: University of Oklahoma Press, 1979, pp. 160, 182-83, 207-10, 246, and 254-55.
Report of Agents in Indian Territory to Commissioner of Indian Affairs, Agent O.B. Dyer, August 16, 1883.

10. Geographical Data

Acreege of nominated property Less Than 1 acre (school) Less Than 1 acre (cemetery)
 Quadrangle name Peoria, OK (cemetery) Picher, OK (school) Quadrangle scale 7.5 minutes

UTM References

A	<u>1</u> <u>5</u>	<u>3</u> <u>4</u> <u>4</u> <u>8</u> <u>3</u> <u>0</u>	<u>4</u> <u>0</u> <u>8</u> <u>6</u> <u>6</u> <u>0</u> <u>0</u>	cemetery	B	<u>1</u> <u>5</u>	<u>3</u> <u>4</u> <u>3</u> <u>1</u> <u>2</u> <u>0</u>	<u>4</u> <u>0</u> <u>8</u> <u>5</u> <u>0</u> <u>6</u> <u>0</u>	school
	Zone	Easting	Northing			Zone	Easting	Northing	
C	<u> </u> <u> </u>	<u> </u> <u> </u> <u> </u> <u> </u> <u> </u> <u> </u>	<u> </u> <u> </u> <u> </u> <u> </u> <u> </u> <u> </u>		D	<u> </u> <u> </u>	<u> </u> <u> </u> <u> </u> <u> </u> <u> </u> <u> </u>	<u> </u> <u> </u> <u> </u> <u> </u> <u> </u> <u> </u>	
E	<u> </u> <u> </u>	<u> </u> <u> </u> <u> </u> <u> </u> <u> </u> <u> </u>	<u> </u> <u> </u> <u> </u> <u> </u> <u> </u> <u> </u>		F	<u> </u> <u> </u>	<u> </u> <u> </u> <u> </u> <u> </u> <u> </u> <u> </u>	<u> </u> <u> </u> <u> </u> <u> </u> <u> </u> <u> </u>	
G	<u> </u> <u> </u>	<u> </u> <u> </u> <u> </u> <u> </u> <u> </u> <u> </u>	<u> </u> <u> </u> <u> </u> <u> </u> <u> </u> <u> </u>		H	<u> </u> <u> </u>	<u> </u> <u> </u> <u> </u> <u> </u> <u> </u> <u> </u>	<u> </u> <u> </u> <u> </u> <u> </u> <u> </u> <u> </u>	

Verbal boundary description and justification

on continuation sheet

List all states and counties for properties overlapping state or county boundaries

state	code	county	code
N/A			

11. Form Prepared By

name/title Michael Pooler directed by Dr. George Carney
 organization Northeast Oklahoma County Survey date 11/10/1982
 street & number Oklahoma State University telephone 405-624-6250
 city or town Stillwater state Oklahoma 74078

12. State Historic Preservation Officer Certification

The evaluated significance of this property within the state is:

national state local

As the designated State Historic Preservation Officer for the National Historic Preservation Act of 1966 (Public Law 89-665), I hereby nominate this property for inclusion in the National Register and certify that it has been evaluated according to the criteria and procedures set forth by the National Park Service.

State Historic Preservation Officer signature C. Metcalf date 2-2-83
 title _____ date _____

For NPS use only
 I hereby certify that this property is included in the National Register

Linda McClelland date 3/21/83
 Keeper of the National Register

Attest: Patrick Andrews date 3/21/83
 Chief of Registration

See continuation sheet for ratings

UNITED STATES DEPARTMENT OF THE INTERIOR
NATIONAL PARK SERVICE

**NATIONAL REGISTER OF HISTORIC PLACES
INVENTORY -- NOMINATION FORM**

FOR NPS USE ONLY

RECEIVED

DATE ENTERED

CONTINUATION SHEET

ITEM NUMBER 9

PAGE 1

Major Bibliographical References:

Report of the Commissioner of Indian Affairs, Enoch Hoag, Quapaw Agency,
September 21, 1874.

Interview with Chief Rodney Arnett, Principal Chief of Confederated Peoria
of Oklahoma, June, 1982.

United States Department of the Interior
National Park Service

National Register of Historic Places
Inventory—Nomination Form

For NPS use only
received
date entered

Continuation sheet

Item number 10

Page 1

Geographical Data - Verbal boundary description and justification:

Peoria School - Beginning at the southeast corner of the SE $\frac{1}{4}$ of the SE $\frac{1}{4}$ of the SW $\frac{1}{4}$ of Section 18, T28N, R24E proceed west 195' to the southwest corner of said property. From there proceed north 180' to the northwest corner of property. Then proceed east 195' to the northeast corner of property. From there proceed south 180' to the beginning point of property (see attached sketch).

Peoria Cemetery - Beginning at a point 262' east of the northwest corner of the NW $\frac{1}{4}$, NW $\frac{1}{4}$, NE $\frac{1}{4}$ of Section 17, T28N, R24E, proceed east 372' to the northeast corner of said property. From there proceed south 516' to the southeast corner of nominated property. Then proceed west 372' to southwest corner of property. Then proceed north 516' to point of beginning (see attached sketch).

**United States Department of the Interior
National Park Service**

**National Register of Historic Places
Inventory—Nomination Form**

For NPS use only
received
date entered

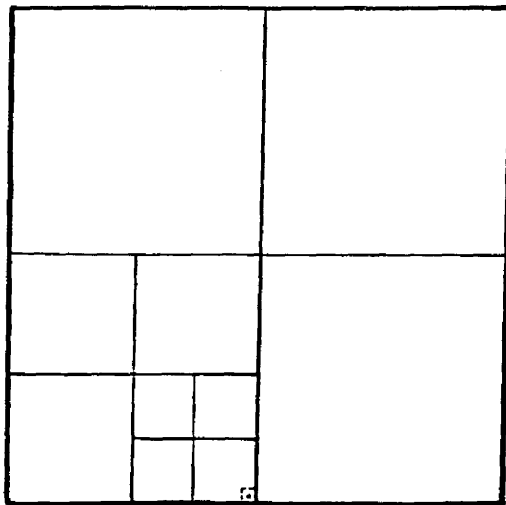
Continuation sheet

Item number 4

Page 1

Owner of Property:

Peoria Tribe of Oklahoma (Cemetery)
East Steve Owens Blvd.
Miami, Oklahoma 74354



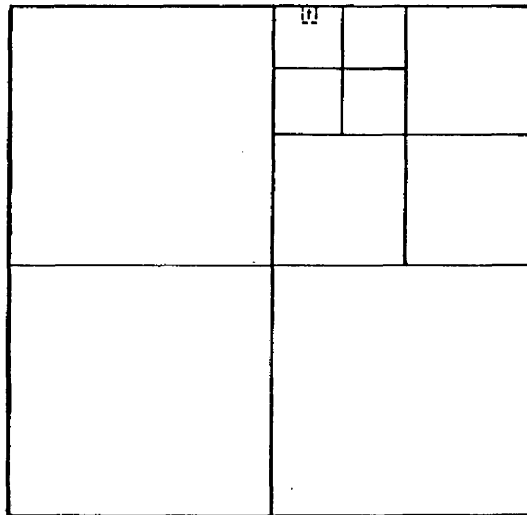
Sec. 18
T 28 N
R 24 E



PEORIA
SCHOOL

OTTAWA CO - 10/15

PEORIA
CEMETERY



Sec. 17
T 28 N
R 24 E



United States Department of the Interior
National Park Service

National Register of Historic Places
Inventory—Nomination Form

For NPS use only
received
date entered

Continuation sheet Item number Page 1 of 1
Multiple Resource Area dnr-11
Thematic Group

Name Confederated Peoria Indian Thematic Resources
State Oklahoma

Nomination/Type of Review	Date/Signature
1. Peoria Tribal Cemetery Substantive Review	Keeper <u>Lusa McClelland 3-21-83</u> Attest <u>accept Patrick Andrus 3/21/83</u>
2. Peoria Indian School Entered in the National Register	Keeper <u>3/21/83 Selma Byers</u> Attest _____
3.	Keeper _____ Attest _____
4.	Keeper _____ Attest _____
5.	Keeper _____ Attest _____
6.	Keeper _____ Attest _____
7.	Keeper _____ Attest _____
8.	Keeper _____ Attest _____
9.	Keeper _____ Attest _____
10.	Keeper _____ Attest _____