



The General

Kennesaw, GA.

Front view

6

NPS Number 6.19.73

Title: The General

Loc. Cobb Co., Ga. (1)

Front view



UNITED STATES DEPARTMENT OF THE INTERIOR
NATIONAL PARK SERVICE

NATIONAL REGISTER OF HISTORIC PLACES
PROPERTY PHOTOGRAPH FORM

(Type all entries - attach to or enclose with photograph)

STATE	Georgia	
COUNTY	Cobb	
FOR NPS USE ONLY		
ENTRY NUMBER	RECEIVED JUN 19 1973	DATE



1. NAME

COMMON: The General

AND/OR HISTORIC:

2. LOCATION

STREET AND NUMBER:

Big Shanty Museum, Cherokee Street

CITY OR TOWN:

Kennesaw

STATE:

Georgia

CODE

13

COUNTY:

Cobb

CODE

067

3. PHOTO REFERENCE

PHOTO CREDIT: Billy Townsend

DATE OF PHOTO: February 19, 1972

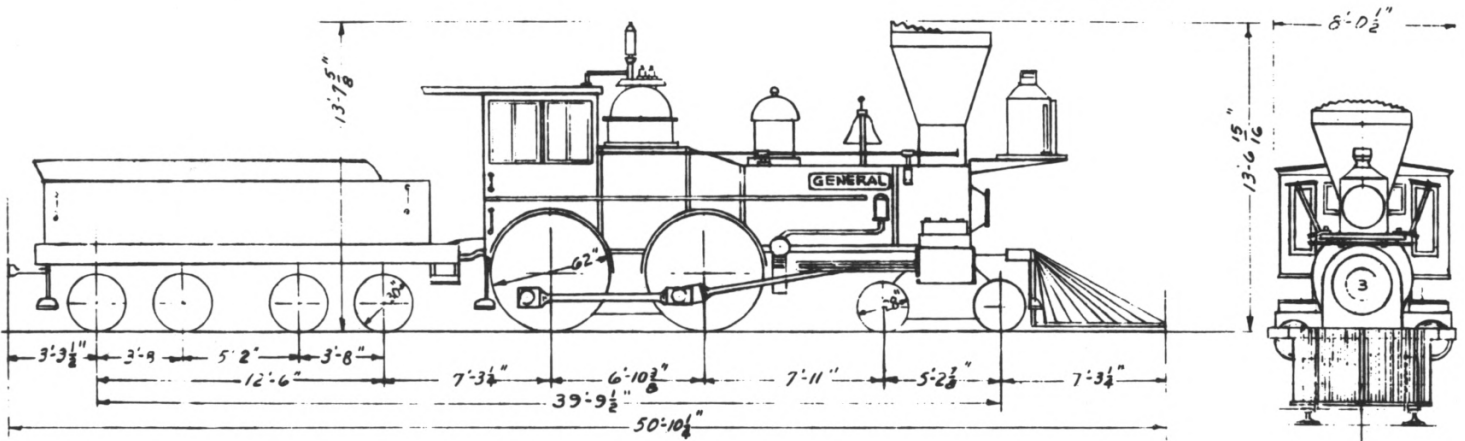
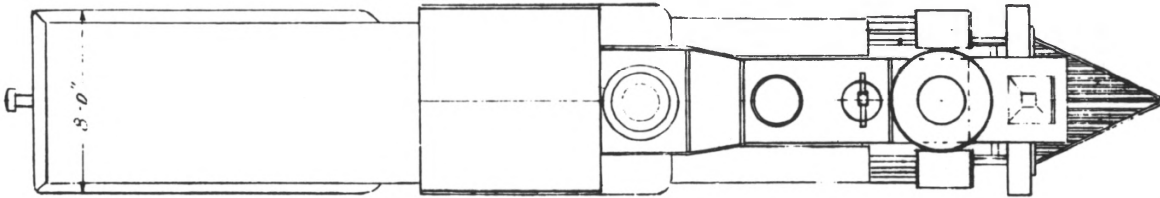
NEGATIVE FILED AT: 4300 Senoa Dr., Kennesaw, Georgia 30144

4. IDENTIFICATION

DESCRIBE VIEW, DIRECTION, ETC.

Right side of locomotive

SEE INSTRUCTIONS



UNITED STATES DEPARTMENT OF THE INTERIOR
NATIONAL PARK SERVICE

NATIONAL REGISTER OF HISTORIC PLACES
PROPERTY PHOTOGRAPH FORM

(Type all entries - attach to or enclose with photograph)

STATE	
Georgia	
COUNTY	
Cobb	
FOR NPS USE ONLY	
ENTRY NUMBER	DATE
	JUN 19 1973

1. NAME

COMMON: The General

AND/OR HISTORIC:

2. LOCATION

STREET AND NUMBER:

Big Shanty Museum, Cherokee Street

CITY OR TOWN:

Kennesaw, Georgia

STATE:

Georgia

CODE

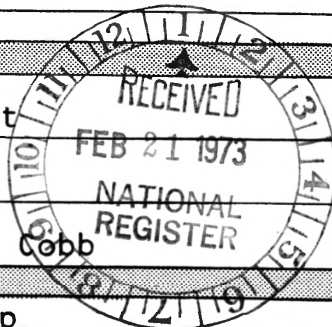
13

COUNTY:

Cobb

CODE

067



3. PHOTO REFERENCE

PHOTO CREDIT: Drawn by C. A. Love, J. F. Sapp

DATE OF PHOTO: January 19, 1962

NEGATIVE FILED AT: Big Shanty Museum, Kennesaw, Georgia 30144

4. IDENTIFICATION

DESCRIBE VIEW, DIRECTION, ETC.

This measured drawing presents three views of the General, and was used in the L.&N. Shops when the engine was being rebuilt in 1962.

SEE INSTRUCTIONS