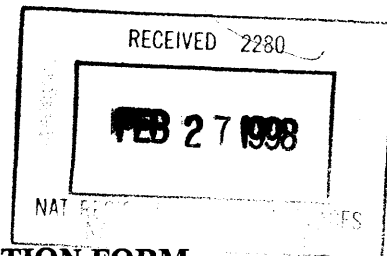


NPS Form 10-900  
(Oct. 1990)

OMB No. 10024-0018

United States Department of the Interior National Park Service  
NATIONAL REGISTER OF HISTORIC PLACES REGISTRATION FORM



1. Name of Property OTTERBEIN CHURCH

historic name: \_\_\_\_\_

other name/site number: \_\_\_\_\_

2. Location

street & number: Co. Rt. 87/11

city/town: Evans

state code: WV county: Jackson

code: 035

Not for publication: N/A

Vicinity: x

zip code: 25241

3. State/Federal Agency Certification

As the designated authority under the National Historic Preservation Act, as amended, I hereby certify that this x nomination    request for determination of eligibility meets the documentation standards for

registering properties in the National Register of Historic Places and meets the procedural and professional requirements set forth in 36 CFR Part 60. In my opinion, the property x meets    does not meet the

National Register Criteria. I recommend that this property be considered significant    nationally    statewide x locally. (   See continuation sheet.)

Susan M. Pierce  
Signature of Certifying Official

2/19/98  
Date

State or Federal agency and bureau

Date

In my opinion, the property    meets    does not meet the National Register criteria. (   See continuation sheet for additional comments.)

Signature of Certifying Official/Title

Date

State or Federal agency and bureau

Date

Otterbein Church  
Name of Property

Jackson County, WV  
County and State

---

---

**4. National Park Service Certification**

---

---

I, hereby certify that this property is: \_\_\_\_\_ Date \_\_\_\_\_  
Signature of Keeper of Action

entered in the National Register

— See continuation sheet.

— determined eligible for the National Register

— See continuation sheet.

— determined not eligible for the National Register \_\_\_\_\_

— removed from the National Register \_\_\_\_\_

— other (explain): \_\_\_\_\_  
\_\_\_\_\_  
\_\_\_\_\_

*Edson H Beall*      *4.1.98*

---

---

**5. Classification**

---

---

**Ownership of Property:**  
(Check as many boxes as apply)

**Category of Property**  
(Check only one box)

- private
- public-local
- public-State
- public-Federal

- building(s)
- district
- site
- structure
- object

**Number of Resources within Property**  
(Do not include previously listed resources in the count.)

Contributing	Noncontributing	
<u>1</u>	<u>1</u>	buildings
<u>1</u>		sites
		structures
		objects
<u>2</u>	<u>1</u>	TOTAL

Otterbein Church \_\_\_\_\_  
Name of Property

Jackson County, WV \_\_\_\_\_  
County and State

Name of related multiple property listing  
(Enter "N/A" if property is not part of a multiple property listing.)

N/A

Number of contributing resources previously listed in the National Register 0

---

---

**6. Function or Use**

---

---

**Historic Functions**

(Enter categories from instructions)

Religion: Church  
Cemetery

\_\_\_\_\_  
\_\_\_\_\_  
\_\_\_\_\_

**Current Functions**

(Enter categories from instructions)

Religion: Church  
Cemetery

\_\_\_\_\_  
\_\_\_\_\_  
\_\_\_\_\_

---

---

**7. Description**

---

---

**Architectural Classification: Materials**

(Enter categories from instructions) (Enter categories from instructions)

Gothic Vernacular

Foundation Stone piers

Walls Clapboard

Roof Asphalt

Other

**Narrative Description**

(Describe the historic and current condition of the property on one or more continuation sheets.)

Otterbein Church  
Name of Property

Jackson County, WV  
County and State

---

---

## 8. Statement of Significance

---

---

### Applicable National Register Criteria

(Mark "X" in one or more boxes for the criteria qualifying the property for National Register listing.)

- A** Property is associated with events that have made a significant contribution to the broad patterns of our history.
- B** Property is associated with the lives of persons significant in our past.
- C** Property embodies the distinctive characteristics of a type, period, or method of construction or represents the work of a master, or possesses high artistic values, or represents a significant and distinguishable entity whose components lack individual distinction.
- D** Property has yielded, or is likely to yield, information important in prehistory or history.

### Criteria Considerations

(Mark "X" in all the boxes that apply.)

Property is:

- A** owned by a religious institution or used for religious purposes.
- B** removed from its original location.
- C** a birthplace or grave.
- D** a cemetery.
- E** a reconstructed building, object, or structure.
- F** a commemorative property.
- G** less than 50 years of age or achieved significance within the past 50 years.

Otterbein Church  
**Name of Property**

Jackson County, WV  
**County and State**

**Areas of Significance**  
(Enter categories from instructions)  
Architecture

**Period of Significance**  
1896

**Significant Dates**  
1896

**Significant Person**  
(Complete if Criterion B is marked above)  
N/A

**Cultural Affiliation**  
N/A

**Architect/Builder**  
N/A

**Narrative Statement of Significance**  
(Explain the significance of the property on one or more continuation sheets.)

Otterbein Church  
Name of Property

Jackson County, WV  
County and State

---

---

## 9. Major Bibliographical References

---

---

### Bibliography

(Cite the books, articles, and other sources used in preparing this form on one or more continuation sheets.)

### Previous documentation on file (NPS):

- preliminary determination of individual listing (36 CFR 67) has been requested.
- previously listed in the National Register
- previously determined eligible by the National Register
- designated a National Historic Landmark
- recorded by Historic American Buildings Survey # \_\_\_\_\_
- recorded by Historic American Engineering Record # \_\_\_\_\_

### Primary location of additional data:

- State Historic Preservation Office
- Other State agency
- Federal agency
- Local government
- University
- Other

Name of Repository: Jackson County Library, Ripley, WV

---

Otterbein Church  
Name of Property

Jackson County, WV  
County and State

---

---

**10. Geographical Data**

---

---

Acreege of Property: 1 acre

UTM References (Place additional UTM references on a continuation sheet.)

17 431130 4298180 Cottageville Quad Map  
Zone Easting Northing

**Verbal Boundary Description**

(Describe the boundaries of the property on a continuation sheet.)

**Boundary Justification**

(Explain why the boundaries were selected on a continuation sheet.)

---

---

**11. Form Prepared By**

---

---

Name/Title: Katherine M. Jourdan, National Register Coordinator

Organization: WV SHPO Date: 28 October 1997

Street & Number: 1900 Kanawha Blvd, East Telephone: 304/558-0220

City or Town: Charleston State: WV Zip: 25305-0300

---

---

**Property Owner**

---

---

(Complete this item at the request of SHPO or FPO.)

Name: Otterbein Memorial Association

Street & Number: P.O. Box 168 Telephone: \_\_\_\_\_

City or Town: Evans State: WV Zip: 25241

**United States Department of the Interior**  
National Park Service

**NATIONAL REGISTER OF HISTORIC PLACES**  
**CONTINUATION SHEET**

Otterbein Church      Jackson County, WV

Section number   7   Page   2  

---

Located along old U.S. 33, now Co. Rt 87/11, the Otterbein Church rests behind a walled frontage with a benchmark insert "L 108" dated 1956.

The church faces the road with concrete steps leading up to the building. The cemetery lies off to the left, or northwest, of the church. A small frame noncontributing privy is behind the building. The site has large trees on the southeast side, and cedars and pines flank the front walk.

The one story church is clapboard with a vertical wainscoting running along the lower portion of the building. The church has two front doors flanking a center three-angle bay window. All the window openings have a pointed transom and 2/2 double-hung sash. Between the transoms of the bay window are wooden shingles, and the transoms have a dentil trim. Above the center bay is a circle plaque with the inscription: "OTTERBEIN/U.B./ OCT. 25, 1896/CHURCH". The "U.B." for United Brethren has been painted over but can still be discerned. The bay is topped by a square tower with rectangular vents on each side, small brackets, and a hipped-pyramidal roof with small metal finial. The roof is gabled with asphalt shingles, and the building rests on dressed stone piers. The two long sides of the building have three windows, and the rear has no openings.

The interior has plaster walls with oak wainscoting and window moulding, and a wooden floor. The Gothic windows have roundel blocks at the upper sash line. All the windows have a rough textured glass in the two operating sashes, and color in the center of the transom design. The two exterior doors open into small vestibules with the door to the sanctuary operating with a rope and pulley to quietly close the door. The interior doors have five panels with a small 2" square roundel in the corners of the panels. Operating three-light transoms are over the interior doors.

The church has one step leading to the altar area situated in the bay window, with a center pulpit. The old wooden pews face the front of the church and run up a slight incline to the rear of the building. The light fixtures are early twentieth century and hang from the ceiling by metal tubing, with an opaque glass globe.

The cemetery is modest and dates to roughly 1864. The funeral art does feature Victorian designs primarily of marble with open books, lambs, roses, pointing hands, and obelisks with Bible and draped cloths with tassels. The graves include the Cunningham family, which donated the land for the church, founding members, and several early pastors such as Rev. Joseph Sayre, and Rev. Jacob Batchel. A later more modern cemetery addition across the street is not being considered at this time.



(NPS Form 10-900)

**United States Department of the Interior**  
National Park Service

**NATIONAL REGISTER OF HISTORIC PLACES**  
**CONTINUATION SHEET**

Otterbein Church      Jackson County, WV

**Section number**   7   **Page**   3  

---

The building is in excellent condition and there have been no alterations to the design. Building materials reflect the original construction. Otterbein Church reflects the architecture of the small rural churches in Jackson County. The cemetery is contributing for its artistic merit.

**United States Department of the Interior**  
National Park Service

**NATIONAL REGISTER OF HISTORIC PLACES**  
**CONTINUATION SHEET**

Otterbein Church      Jackson County, WV  
Section number   8   Page   2  

---

Otterbein Church is being nominated under Criterion C for Architecture, and Criteria Consideration A. The building reflects the period of 1896 when it was constructed in rural Jackson County. The adjoining cemetery is included under Criteria Consideration D.

The United Brethren denomination began as the German Reformed Church in 1752, when Philip William Otterbein left Germany to be a missionary to the "wayward Dutch" in Lancaster, Pennsylvania. Working with Martin Boehm, they served in an evangelistic capacity in German settlements in Pennsylvania and Maryland. The United Brethren Church developed over differences beginning to be expressed about 1805.

Later, Rev. Moses Michaels began preaching in nearby Mason County in the early 1830s. A circuit in Jackson County developed with a minister making the rounds of several sites. Services for the United Brethren Church were held in the courthouse and in other churches from roughly 1858 until different churches were built for the denomination in various parts of the county. These churches included: Antioch (1883), Barnett/Mt. Olive (org. 1856), Mt. Moriah (1896), Otterbein (1864/96), Pleasant Ridge (1880), Ripley (org. 1887/1925), and Rockcastle (1879).

Land for the Otterbein Church was donated by William and Elizabeth Cunningham to a Board of Trustees in 1864. The one acre piece of land bordered their farm in western Jackson County in the Angerona Community. At the same time they donated land nearby for a school house called Walnut Grove. At that time the first church was built and stood for 30 years.

In the mid-1890s a decision was made to tear down the first church to build a new sanctuary. The present church was built and dedicated on October 25, 1896, by Bishop N. Castle. A description of the dedication reads:

"The house is a beautiful frame structure, 30x51 ft. It is the most beautiful country church in the bounds of the Columbia District, an honor to the community in which it is located, and an honor to the denomination. It was completed at a cost of \$1,144.78, there being a debt of \$430 to be provided on the day of dedication.

Those who were instrumental in building the church were Sayres, Staats, Hunts, Crows, Stewarts, Harpolds, McKowns, Norrises, Witherowns, Greers, Kings, McIntyres, Castos and Cunninghams. Many of these names appear in the cemetery next to the church and the later addition across the road. The church is a single story, white clapboard building in original condition. The design is unusual with an angled bay in the center front facade, containing the

**United States Department of the Interior  
National Park Service**

**NATIONAL REGISTER OF HISTORIC PLACES  
CONTINUATION SHEET**

Otterbein Church      Jackson County, WV  
Section number   8   Page   3  

---

altar and pulpit. Layout of the church with the two front doors follows a design said to have been built by Philip Otterbein in the 1770s. The design intended one side for men, the other for women.

While many of the churches in Jackson County are one story and frame, no others seem to have the center bay window. The design of the two front doors seem to have been popular locally with the United Brethren and Methodist denominations. Architecturally the simple church has remarkable details, with the center bay having the wooden shingles on the facade, popular in the Queen Anne period, and the pointed transoms with the dentil design. The interior doors are uniquely fashioned with roundels in the corners of the paneled doors.

The United Brethren Church merged with the Evangelical Church in 1947, forming the United Brethren Evangelical Church. The church merged again in 1969 with the Methodist Church. In 1986, the building was purchased from the United Methodist Church Conference by friends and community residents who repaired the building to its present condition. The Otterbein Memorial Cemetery Corporation has a Board of Trustees that is responsible for the upkeep of the church building and cemetery.

The Otterbein Church is a simple rural church yet it exhibits some distinction in its architectural design in Jackson County with its unusual angled front bay. Constructed at the close of the 19th century, the two door church plan seems to follow the old way of division of the sexes, vs the more common single front door. The cemetery adjoins the church and exhibits fine funerary designs of the Victorian period.

(NPS Form 10-900)

**United States Department of the Interior**  
National Park Service

**NATIONAL REGISTER OF HISTORIC PLACES**  
**CONTINUATION SHEET**

Otterbein Church      Jackson County, WV  
Section number   9   Page   2  

---

**Bibliography**

RELIGIOUS TELESCOPE, WV Wesleyan College, November 4, 1896.

Jackson Co. Historical Society, Inc., JACKSON COUNTY, WV, PAST AND PRESENT  
1990. USA: Walsworth Publishing, 1990, p. 50.

Schildt, John W., DRUMS ALONG THE ANTIETAM. 1972.

Hensley, J.L. RISE AND PROGRESS OF THE CHURCH OF THE UNITED BRETHREN IN  
CHRIST IN WEST VIRGINIA. Manuscript, 1886.

Berger, Rev. Daniel, HISTORY OF THE CHURCH OF THE UNITED BRETHREN IN  
CHRIST. Dayton, OH: United Brethren Publishing Series, 1897.

Section number  10  Page   2  

---

**Boundary Description**

Commencing at a stone marked A, thence east 40 N 8 poles to a stone marked B; thence S 40 E 12 poles to a stone marked C, thence W 40 S 8 poles to a stone marked D; thence N 40 W 12 poles to the beginning.

**Boundary Justification**

As described in Deed Book 269, page 205, County Clerks Office, Jackson County Courthouse, Ripley, WV.

(NPS Form 10-900)

**United States Department of the Interior**  
National Park Service

**NATIONAL REGISTER OF HISTORIC PLACES**  
**CONTINUATION SHEET**

Otterbein Church      Jackson County, WV  
Section number PHOTO Page 1

---

Name: Otterbein Church  
Address: Co. Rt 87/11  
City: Evans, WV  
County: Jackson County

Photographer: Katherine Jourdan

Date: September 14, 1997

Negatives: WV SHPO, Charleston, WV

Photo 1 of 9: Front or South Facade of Church  
Camera looking Northeast

Photo 2 of 9: West and South Facades of Church  
Camera looking East

Photo 3 of 9: Rear and West Facades of Church  
Camera looking South

Photo 4 of 9: Cemetery and Church  
Camera looking East

Photo 5 of 9: Interior of Church - rear  
Camera looking Northeast

Photo 6 of 9: Interior of Church - front  
Camera looking Southwest

(NPS Form 10-900)

**United States Department of the Interior**  
National Park Service

**NATIONAL REGISTER OF HISTORIC PLACES**  
**CONTINUATION SHEET**

Otterbein Church      Jackson County, WV  
Section number PHOTO Page 2

---

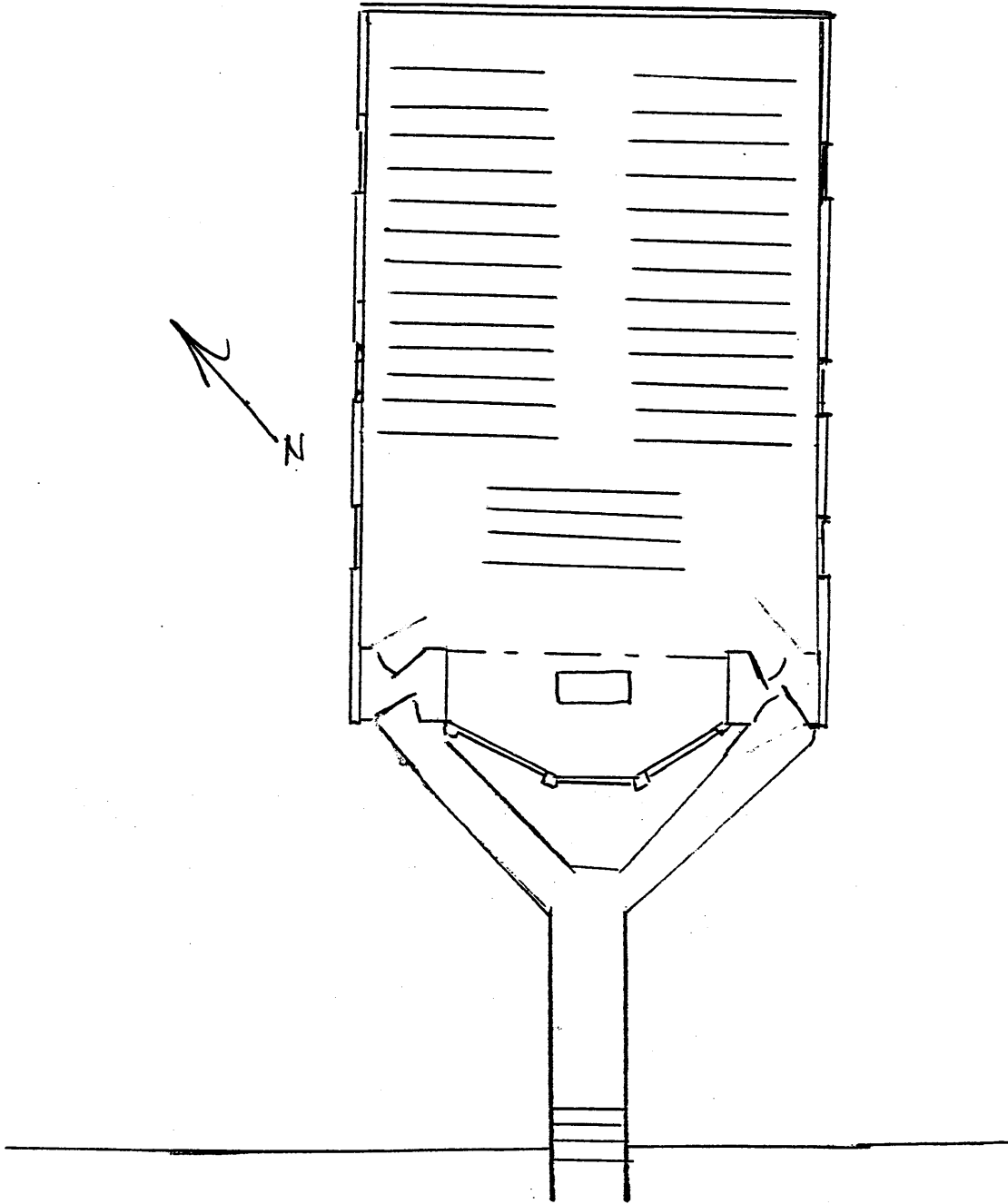
Photo 7 of 9: Interior detail of door  
Camera looking South

Photo 8 of 9: Cemetery View of Stones  
Camera looking West

Photo 9 of 9: Cemetery View of Stones and Privy  
Camera looking East

Otterbein Church  
County Road 87/11  
Evans Vicinity  
Jackson County, WV

FLOORPLAN



Otterbein Church  
CR 87/11  
Evans Vicinity  
Jackson County, WV

PHOTO AND SITE PLAN

